



THE PROBLEM SOLVER®

**DID ■ YOU ■ KNOW?**

ADVICE FOR THE PROFESSIONAL

## Overview

Identification of axle type is required to order and install the correct upper and lower ball joints.

### Models affected:

Year	Make/Model
1990	Ford Bronco II
1991-94	Explorer
1990-97	Ranger
1991-94	Mazda Navajo

## Identification Procedure

### Axle identification process

The variety of axle types used on certain Ford 4X4 light trucks (up through model year 1997) can cause confusion when ordering ball joints.

In the example shown (Figure 1) for the model year 1991-97, there may be two different axles. To find out which axle is on the vehicle, first determine how the upper ball joint is connected to the knuckle.

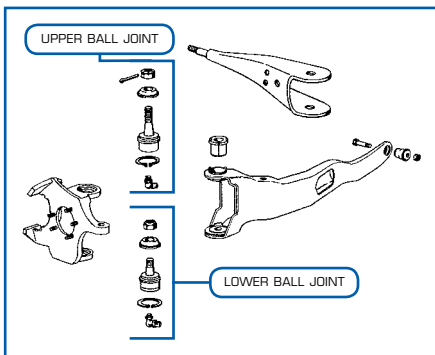


Figure 1

## Identification Procedure (con't)

### Upper Ball Joint

If the upper ball joint stud uses a castellated nut to tighten it to the knuckle, it is a Dana 28 axle (see Figure 2). The correct upper ball joint is MOOG part number **K8412T**.

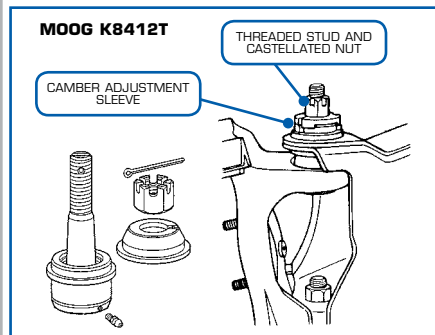


Figure 2

If the ball joint stud has no threads and uses a pinch bolt to hold it in place in the knuckle, the axle type is a Dana 35 (Figure 3).

The correct upper ball joint part number is dependent on the manufacture date:

- From 1/11/93 and on, install MOOG part number **K8676\***
- Up to 1/10/93, install MOOG part number **K8546\***

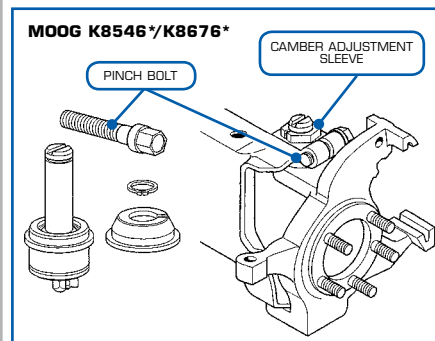


Figure 3

Con't next column

## Lower Ball Joint

Using the same inspection procedure as previously described, determine the type of axle the vehicle is equipped with (see Figures 2 and 3).

For a Dana 28 axle, install the MOOG lower ball joint part number **K8411**.

For a Dana 35 axle, the lower ball joint choice is dependent on the manufacture date:

- From 1/11/93 and on, install MOOG part number **K8673\***
- Up to 1/10/93, install MOOG part number **K8563\***

\* A pinch bolt is included, as the upper ball joint needs to be separated in order for the lower ball joint to be installed.

Be sure to consult the MOOG Chassis Master Catalog for complete model year details.



K8412T

K8546\*



\*PINCH BOLT INCLUDED