



OFFICIAL STEERING & SUSPENSION OF NASCAR®

DID YOU KNOW?**ADVICE FOR THE PROFESSIONAL**

Overview

Certain Dodge/Ram trucks and Jeep vehicles with solid four-wheel-drive front axles use a telescoping upper ball joint. The stud telescopes a small amount to compensate for manufacturing variances in the tolerance of the axle and knuckle ears.

This telescoping effect may result in the stud appearing:

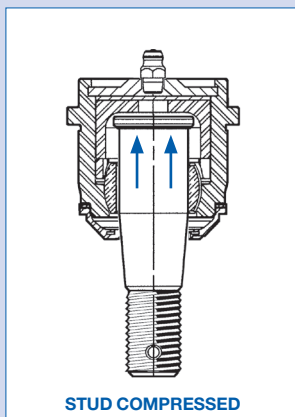
- As if it is too long, or too short
- As if it has excessive play

The stud is engineered to slide in and out of the housing. This DOES NOT indicate excessive play or any other issue with the part. This feature is necessary for correct part installation and function.

Description	Years	Make/Model	Replacement Part Number
Telescoping Upper Ball Joint	2000-2002	Dodge Ram 2500/3500 4WD	K7394
	2000-2002	Dodge Ram 3500 RWD	
	2006-2008	Dodge Ram 1500 4WD	K7460
	2003-2010	Dodge Ram 2500/3500 4WD	
	2010	Dodge Ram 3500 RWD	
	2011-2012	Ram 2500/3500 4WD	
	2011-2012	Ram 3500 RWD	K3134T
	1994-2001	Dodge Ram 1500 4WD	
	1994-1999	Dodge Ram 2500 4WD	
	1984-2001	Jeep Cherokee	
	1986-1992	Jeep Comanche	
	1993-2004	Jeep Grand Cherokee	
	1993	Jeep Grand Wagoneer	
	1997-2006	Jeep TJ	
1984-1990	Jeep Wagoneer		
1987-2013	Jeep Wrangler		

FOR COMPLETE APPLICATION INFORMATION, REFER TO WWW.FME-CAT.COM.

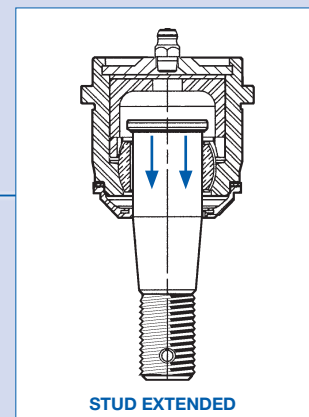
TO SEE THE ADDITIONAL PROBLEM-SOLVING FEATURES OF THIS BALL JOINT DESIGN, REFER TO PROBLEM SOLVER BULLETIN MPS 29007.



STUD COMPRESSED



STUD EXTENDED



NOTE: When this MOOG ball joint is installed and torqued to proper specifications, it automatically adjusts to the required extended length.



For parts lookup, visit www.FMe-cat.com

tech line: 1-800-325-8886

moogproblemsolver.com

