



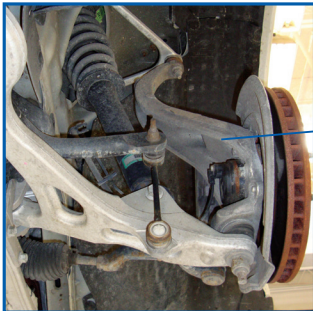
OFFICIAL STEERING & SUSPENSION OF NASCAR®

THE PROBLEM SOLVER®

PROBLEM:

OE front lower ball joint only available as part of steering knuckle

When replacing the lower ball joint on these vehicles, the OE lower ball joint cannot be ordered separately. These components must be ordered with the steering knuckle, as part of a complete assembly. This is a costly repair, and an unnecessary expense if the steering knuckle is sound.



STEERING KNUCKLE



OE BALL JOINT

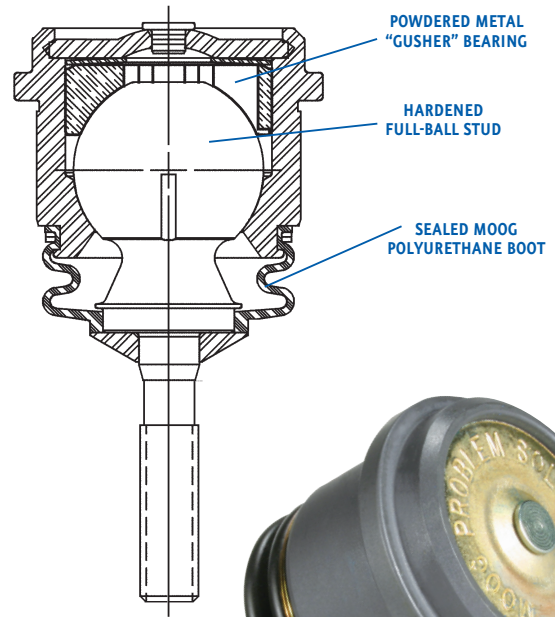
STEERING KNUCKLE

Description	Years	Make/Model	Part Number
Lower Ball Joint	2000-2001	Lincoln LS	K500084
	2002-2005		K500085

SOLUTION:

MOOG® K500084/ K500085 Lower Ball Joint

The MOOG K500084/K500085 lower ball joint is available as a separate component, so that the steering knuckle does not have to be purchased to replace the ball joint. To replace the ball joint, remove the steering knuckle. With the steering knuckle off the vehicle, and the wheel hub and bearing assembly removed, the OE ball joint can be replaced. The MOOG premium K500084/K500085 resin-plated housing helps prevent galvanic corrosion between the aluminum knuckle and ball joint housing.



MOOG K500084 (shown)



For parts lookup, visit www.FMe-cat.com tech line: 1-800-325-8886

moogproblemsolver.com

