

CHRYSLER 300,  
DODGE CHALLENGER,  
CHARGER, MAGNUM



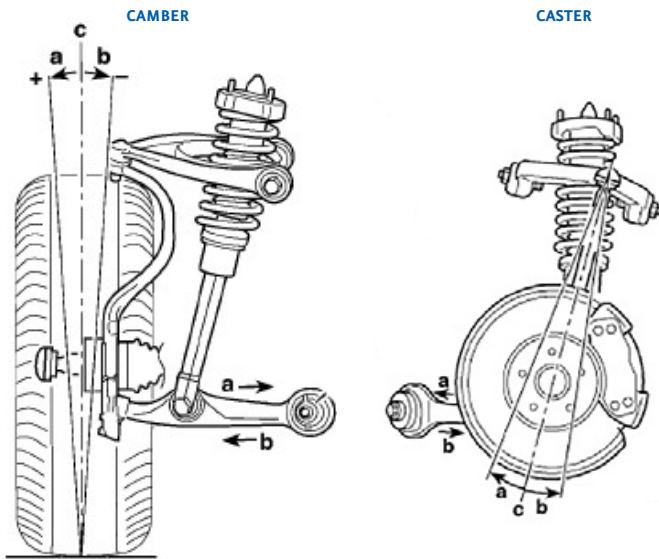
OFFICIAL STEERING & SUSPENSION OF NASCAR®

**THE PROBLEM SOLVER®**

**PROBLEM:**

**No OE provision for front wheel camber/caster adjustment**

The affected Chrysler and Dodge models do not have provisions for camber/caster adjustment from the factory. If camber and/or caster are found to be out of specification during an alignment, a technician may attempt to correct the angles by shifting the cradle. If shifting the cradle will not bring the specifications into the recommended range, adjustment bolts will be necessary.



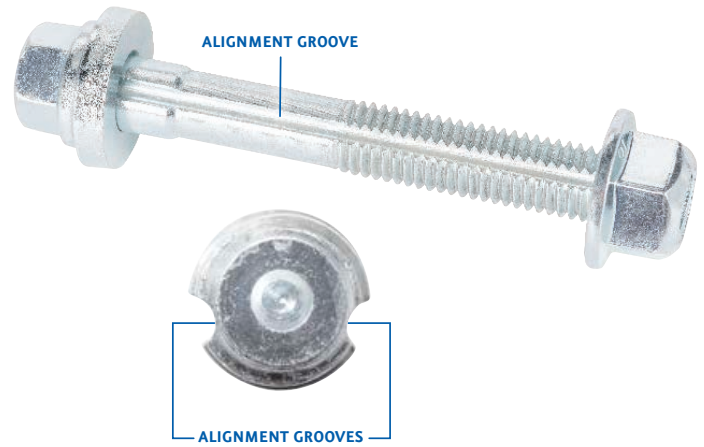
| Description            | Years     | Make/Model        | Replacement Part Number |
|------------------------|-----------|-------------------|-------------------------|
| Alignment Cam Bolt Kit | 2005-2014 | Chrysler 300 AWD  | K100154                 |
|                        | 2008-2015 | Dodge Challenger  |                         |
|                        | 2007-2014 | Dodge Charger AWD |                         |
|                        | 2005-2008 | Dodge Magnum AWD  |                         |

**SOLUTION:**

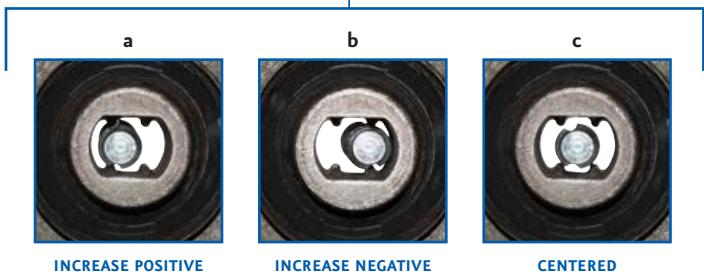
**MOOG® K100154 control arm mounting bolt kit allows for ±0.3° of adjustment**

MOOG® K100154 control arm mounting bolts replace the OE front lower control arm mounting bolts, and make the front suspension adjustable for both camber and caster. To adjust camber only, install bolts in both the front and rear control arm mounting positions. To adjust caster only, install a bolt in the forward position only. The offset grooves in the K100154 bolts each allow approximately ±0.3° of adjustment.

**NOTE:** For proper tightening and torque procedure, be sure to turn the nut, not the bolt. Rotating the bolts will damage the teeth in the metal sleeve of the bushing and/or cradle.



K100154 BOLT PLACEMENT IN CONTROL ARM BUSHING



For parts lookup, visit [www.FMe-cat.com](http://www.FMe-cat.com) tech line: 1-800-325-8886

[moogproblemsolver.com](http://moogproblemsolver.com)

