

PROBLEM SOLVER™ BULLETIN

BULLETIN: 25474

Premature ball joint wear

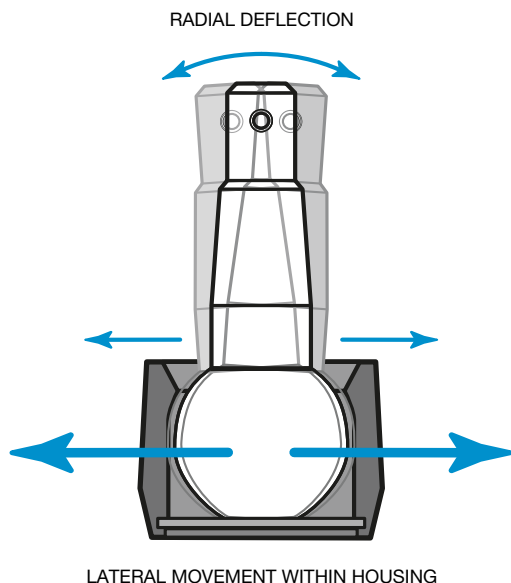
1989-2001

Hyundai Accent/Elantra/Tiburon/Sonata

PROBLEM:

Premature ball joint wear

- Premature ball joint wear is experienced on the Hyundai Accent, Elantra, Tiburon and Sonata.
- Intrusion and boot failure could accelerate ball joint wear.



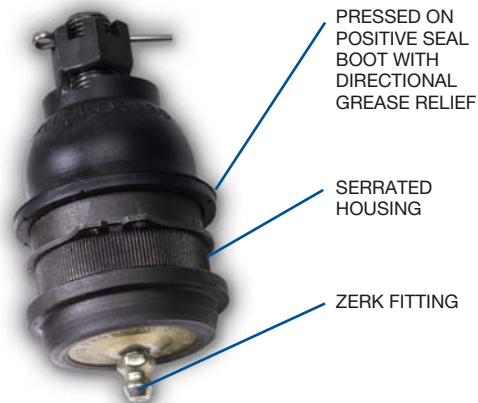
Year	Make/Model*	Replacement Part No.
'95-'99	Hyundai Accent	K9455
'96-'00	Hyundai Elantra	K9455
'97-'01	Hyundai Tiburon	K9455
'89-'94	Hyundai Sonata	K9455

*Check catalog for specific application information.

SOLUTION:

MOOG® ball joint

- Greasable design to reduce friction and flush contaminants.
- Boot with directional grease relief is pressed on for a positive seal.
- Serrated housing accommodates slightly worn control arm housing for easy installation.
- Metal stud with full-ball configuration provides 360° of smooth, even, rotational movement for more responsive steering.
- All-metal "gusher" bearing design allows lubricant to penetrate bearing surfaces for longer life.
- Exclusive double bearing allows for less pre-load, resulting in reduced steering effort.



Be Car Care Aware™

MOOG
CHASSIS PARTS™

The Problem Solver™

FEDERAL-MOGUL
MOTORPARTS