

# PROBLEM Solver™ BULLETIN

BULLETIN: 25959

## Lower Ball Joints

1995–2004

Ford Taurus, Mercury Sable, Lincoln Continental

www.moogproblemsolver.com

### PROBLEM:

#### Corroded ball joints are difficult to remove

- Failed ball joints can be difficult to remove because of corrosion.
- Mating surfaces of the aluminum OE knuckle and ball joint housing promote corrosion, making it difficult to press out the worn ball joint.

**Inspection Tip:** Typical inspection procedures may not reveal worn lower ball joints. Rocking the tires at the 3 and 9 o'clock positions may reveal ball joint play that was not evident using normal inspection procedures.



Make / Model / Year

Ford Taurus 96-04; Lincoln Continental 95-98;  
Mercury Sable 96-04

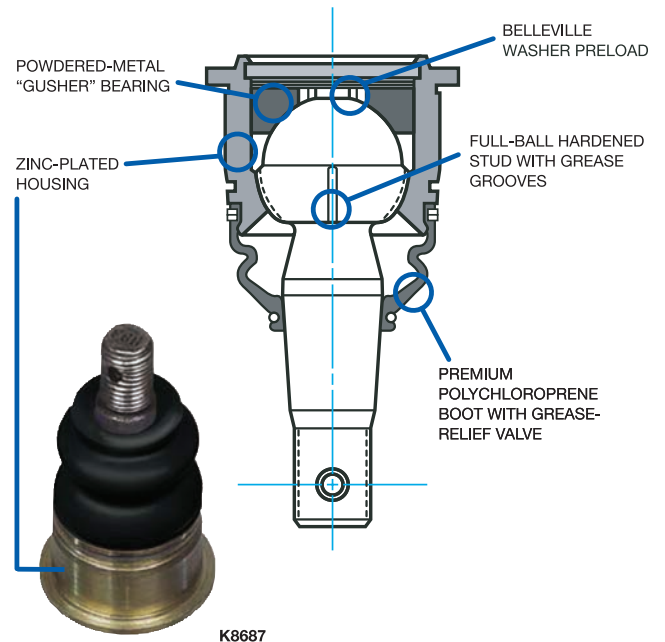
Replacement  
Part No.

K8687

### SOLUTION:

#### MOOG® complete ball joint repair solution

- The MOOG K8687 and T40014 provide a complete repair solution for Taurus, Sable and Continental worn ball joints.
- The MOOG premium K8687 zinc-plated housing helps prevent galvanic corrosion between the aluminum knuckle and ball joint housing.
- The MOOG T40014 easily and safely removes worn ball joints while preventing knuckle damage due to improper service procedures. *(Do not apply heat to the aluminum knuckle in an attempt to remove the ball joint.)*



*Be Car Care Aware™*

**MOOG**  
CHASSIS PARTS™

THE PROBLEM SOLVER™

FEDERAL-MOGUL  
MOTORPARTS