

PROBLEM

Solver[™]
BULLETIN

BULLETIN: 25963

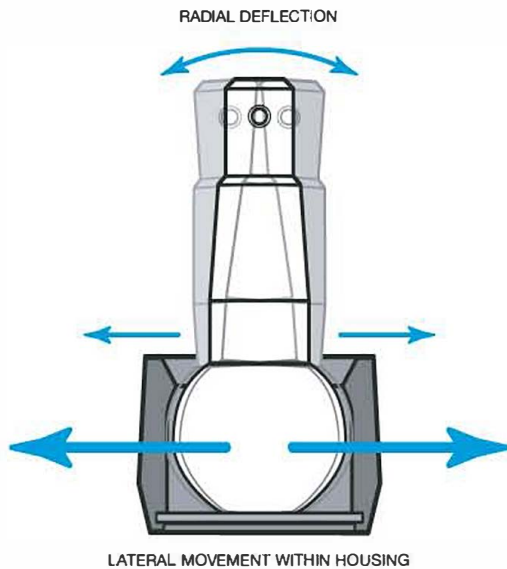
Front Wheel Drive Lower Ball Joint Wear

1992-1996
General Motors Minivan

PROBLEM:

Premature ball joint wear

- Lateral deflection (side to side) loading causes excessive wear in ball joint.



Make / Model / Year

Replacement
Part No.

Chevrolet Lumina APV 92-96; Oldsmobile Silhouette 92-96;
Pontiac Trans Sport 92-96

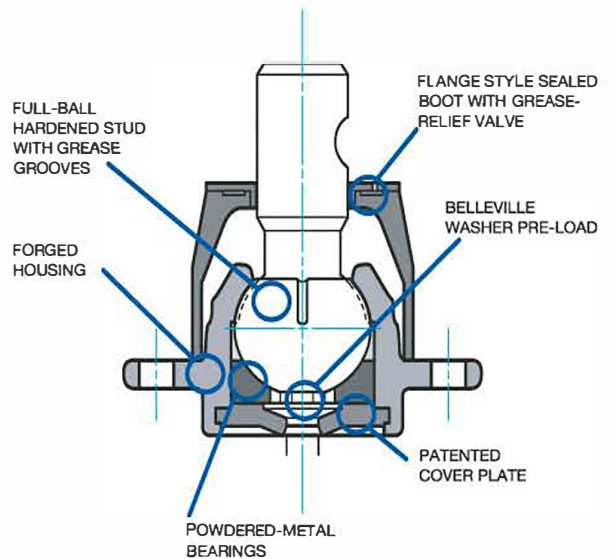
K6429

SOLUTION:

MOOG[®] improved design part number K6429



- Utilizes patented MOOG cover plate design and NASCAR[®]-proven split-bearing technology, which eliminates the excessive radial deflection often experienced with high lateral loads. The ball joint assembly maintains maximum ball-to-bearing contact for greater load-carrying capability.
- Belleville washer pre-load provides lower torque and stud articulation with minimal axial clearance.
- Hardened powdered-metal bearings provide a smooth, durable wear surface that extends service life.
- A flange-style sealed boot equipped with a special grease-relief valve keeps contamination out and provides a serviceable sealed environment.



Be Car Care Aware

MOOG
CHASSIS PARTS[™]

The Problem Solver[™]

FEDERAL-MOGUL
MOTORPARTS