



MOOG® EXCLUSIVE BEARING DESIGN

THE PROBLEM SOLVER®

PROBLEM:

Premature Failure/Excessive Play/Joint Separation

- Non-serviceable socket design cannot flush contaminants from the assembly, causing corrosion and wear.
- Boot deterioration/failure can lead to lubrication loss. The bearing quickly wears, resulting in excessive deflection, imprecise steering/alignment and possible assembly separation.
- Plastic bearings do not uniformly transmit force into the wall of the housing and cover plate, causing deformation and wear. This affects steering stability and results in shorter service life.

NOTE WORN AWAY PLASTIC SOCKET



BALL STUD SEVERELY CORRODED

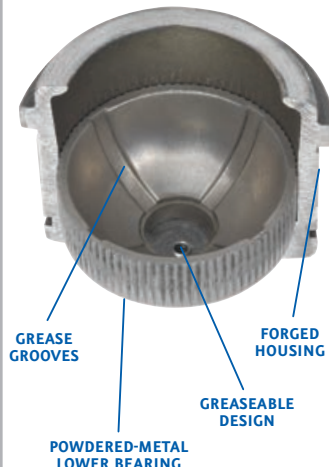


SOLUTION:

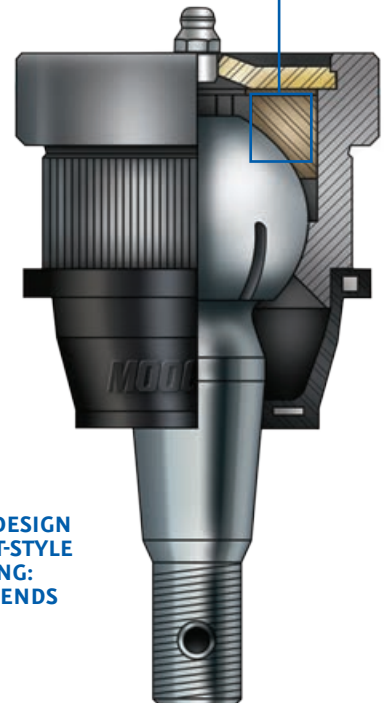
MOOG® Premium Bearing Design

- MOOG's hardened powdered-metal bearing design allows grease to flow through the bearing surface and onto the stud for reduced friction and long life.
- Porous material allows continuous lubrication to flush away contaminants from the bearing and stud surface, resulting in less wear and increased performance.
- Unique bearing design evenly transfers vehicle load forces and prevents bearing deformation, resulting in a robust and durable part.
- Hardened bearing construction provides strength and stability while restoring like-new steering.

ENLARGED CUTAWAY VIEW



POWDERED-METAL COMPOSITION IS ONE OF THE MOST DURABLE WEAR SURFACES AVAILABLE; IT WITHSTANDS HIGHER PSI LOADS THAN PLASTIC.



MOOG PREMIUM BEARING DESIGN IS FOUND ON MOOG SOCKET-STYLE COMPONENTS, INCLUDING: BALL JOINTS AND TIE-ROD ENDS



For parts lookup, visit www.FMe-cat.com | tech line: 1-800-325-8886

moogproblemsolver.com

