



**FRONT  
SUSPENSION  
RATTLE**  
CHRYSLER MINIVANS

**THE PROBLEM SOLVER®**

**PROBLEM:**

**Rattle and/or knocking sound from front suspension**

Owners of late-model Chrysler minivans may complain of a rattle or knocking sound when driving at low speeds over bumps and/or road surfaces with minor surface imperfections. This is caused by either or both:

- Failed sway bar bushings (See Problem Solver Bulletin 212004)
- Failed sway bar links

The non-greaseable sway bar link design is prone to premature wear due to intrusion. This causes the metal ball stud to corrode quickly, abrading the bearing surface. This cycle of corrosion and wear causes the socket to loosen, allowing excessive play and noise in the front end.



SWAY BAR BUSHING

SWAY BAR LINK

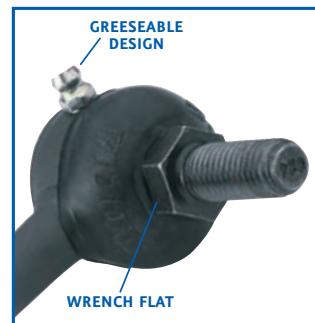
Description	Years	Make/Model	Replacement Part Number
Sway Bar Link	2001-2011	Chrysler Town & Country, Dodge Caravan, Plymouth Voyager	K7258

**SOLUTION:**

**MOOG® K7258 Sway Bar Link Kit**

The MOOG Problem Solver Sway Bar Link K7258 features durable, all-metal, greaseable construction that is not prone to OE plastic design failures.

- Greaseable to reduce friction and flush out contaminants.
- Convenient, easy-access wrench flat allows for easy installation.
- Metal stud with full-ball configuration provides 360° of smooth, even rotational movement for more responsive steering.
- All-metal “gusher” bearing design allows lubricant to penetrate bearing surfaces for longer life.



GREASEABLE DESIGN

WRENCH FLAT



**K7258**



For parts lookup, visit [www.FMe-cat.com](http://www.FMe-cat.com) tech line: 1-800-325-8886

[moogproblemsolver.com](http://moogproblemsolver.com)

