



PREMATURE WEAR OF UPPER BALL JOINT

DODGE RAM 2500/3500 4WD,
RAM 1500 W/MEGA CAB

THE PROBLEM SOLVER®

PROBLEM:

Premature wear of upper ball joint

Premature ball joint failures on many late-model Ram trucks are a common occurrence on vehicles equipped with the 9.25" axle. The installation process puts significant demands on the upper ball joint bowl design. The upper and lower ball joints on these axles may not be perfectly aligned. The OE ball joint design deforms to comply to these demands. This leads to severe wear from impact loads occurring under "normal" driving conditions. The ball joints should be replaced any time there is side-to-side or back-and-forth "radial play" (vertical-only movement is normal).

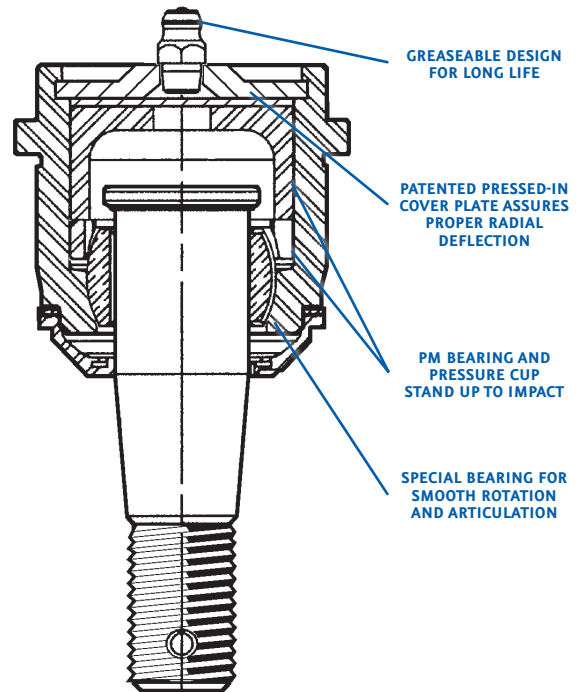
SOLUTION:

MOOG® K7460 Upper Ball Joint

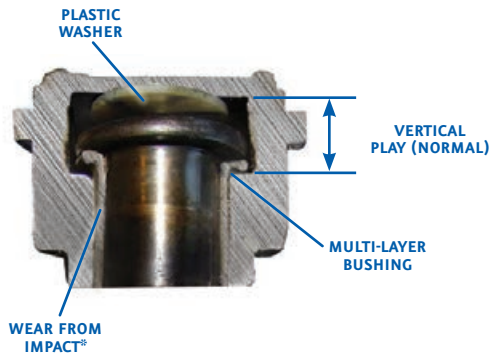
The K7460 design has a patent-pending all-metal bowl design that compensates for suspension component misalignment, and a patented closure method that minimizes radial deflection. In addition, the MOOG K7460 uses a premium polychloroprene boot with a built-in grease-relief valve, providing a sealed, serviceable part able to flush contamination.



K7460



OE DESIGN IS NON-SERVICEABLE



*REPLACE WHEN THERE IS MOVEMENT SIDE-TO-SIDE

Description	Years	Make/Model	Part Number
Upper Ball Joint	2006-2008	Dodge Ram 1500 4WD	K7460
	2003-2010	Dodge Ram 2500/3500 4WD	
	2010	Dodge Ram 3500 RWD	
	2011-2012	Dodge Ram 2500/3500 4WD	
	2011-2012	Dodge Ram 3500 RWD	



For parts lookup, visit www.FMe-cat.com tech line: 1-800-325-8886

moogproblemsolver.com

