

MOOG® Complete Knuckle Assembly

Easy to Install – Saves up to 1.5 hours in time

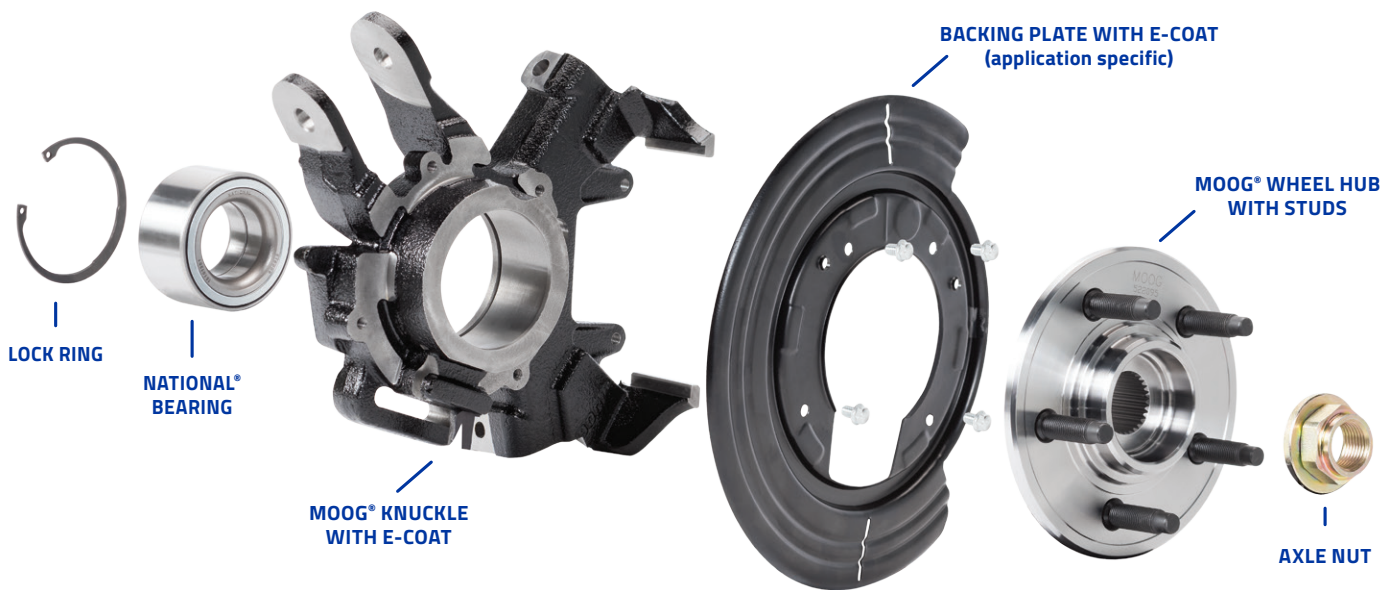
The new MOOG® Complete Knuckle Assembly is designed to make troublesome bearing replacement easier. The pre-assembled part eliminates the need for special tools or a press, resulting in easier installation and time savings of up to 50%.

In addition, it saves the time required to locate and source multiple parts.

NEW!



Pre-assembled unit includes the following premium components:



MOOG® Complete Knuckle Assembly Applications

PART #	PLACEMENT	APPLICATION
LK001	Left Rear	Ford Explorer 2002-05* Mercury Mountaineer 2002-05*
LK002	Right Rear	Ford Explorer 2002-05* Mercury Mountaineer 2002-05*
LK003	Left Front	Ford Focus 2006-11
LK004	Right Front	Ford Focus 2006-11
LK005	Left Front	Nissan Altima 2002-06 2.5L
LK006	Right Front	Nissan Altima 2002-06 2.5L
LK007	Left Front	Volkswagen Beetle 2006-10 280mm Rotor Diameter Volkswagen Beetle 1998-05 1.9L, 2.0L Volkswagen Golf 10 1968cc (2.0L), 7th and 8th Digit of Vin is BE Volkswagen Golf 2007-10 1984cc (2.0L), 7th and 8th Digit of Vin is BE Volkswagen Golf 1999-06 1.9L, 2.0L Volkswagen GTI 1999-00 2.0L Volkswagen Jetta 1999-05 1896cc (1.9L), 7th and 8th Digit of Vin is 9M or 1J Volkswagen Jetta 1999-05 1984cc (2.0L), 7th and 8th Digit of Vin is 9M or 1J
LK008	Right Front	Volkswagen Beetle 2006-10 280mm Rotor Diameter Volkswagen Beetle 1998-05 1.9L, 2.0L Volkswagen Golf 10 1968cc (2.0L), 7th and 8th Digit of Vin is BE Volkswagen Golf 2007-10 1984cc (2.0L), 7th and 8th Digit of Vin is BE Volkswagen GTI 1999-00 2.0L Volkswagen Jetta 1999-05 1896cc (1.9L), 7th and 8th Digit of Vin is 9M or 1J Volkswagen Jetta 1999-05 1984cc (2.0L), 7th and 8th Digit of Vin is 9M or 1J

*Prior to installing the MOOG Complete Knuckle Assembly on this vehicle, inspection of the parking brake shoes and hardware is recommended. If parking brake shoes require replacement, the following Wagner® brake components are available:

Parking Brakes Shoe Set

PAB745

PAB791

Application

Ford Explorer 2 Door 2002-03

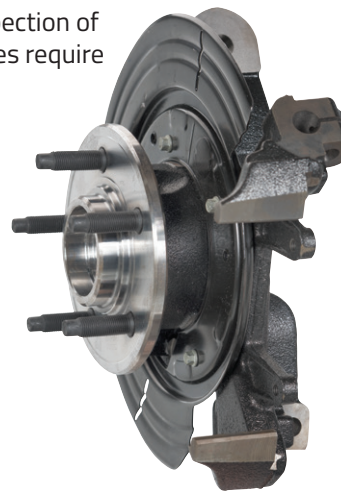
Ford Explorer 4 Door 2002-10

Hardware Kit

H7240

Application

Ford Explorer 2002-11



For parts lookup, visit: www.fme-cat.com

Tech line: 1-800-325-8886

moogparts.com #partsmatter

MOOG®

The Problem Solver®

©2016 Federal-Mogul Motorparts Corporation. MOOG, The Problem Solver, Wagner and National are trademarks owned by Federal-Mogul Corporation, or one or more of its subsidiaries, in one or more countries. All other trademarks shown are the property of their respective owners. All rights reserved. # MG161055

FEDERAL-MOGUL
MOTORPARTS