

# MOOG® Complete Knuckle Assembly

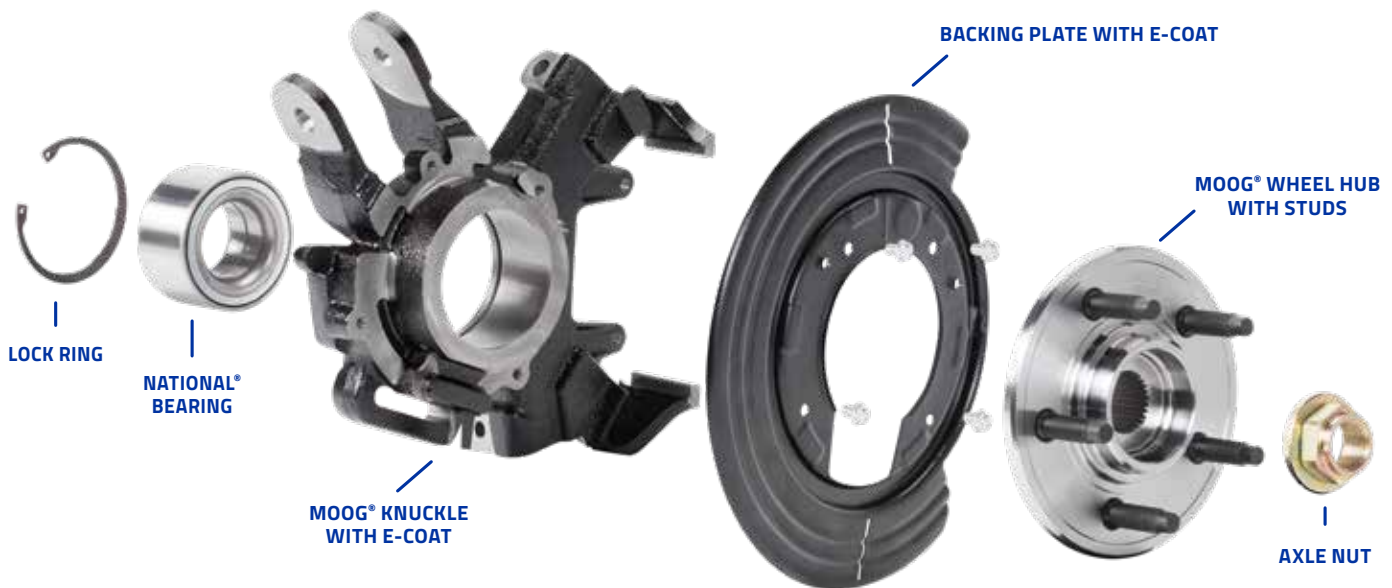
**Easy to Install – Saves up to 1.5 hours in time**

The new MOOG® Complete Knuckle Assembly is designed to make troublesome bearing replacement easier. The pre-assembled part eliminates the need for special tools or a press, resulting in easier installation and time savings of up to 50%.

In addition, it saves the time required to locate and source multiple parts.

**Pre-assembled unit includes application-specific, premium components:**

**NEW**



[moogparts.com](http://moogparts.com) #partsmatter

**MOOG**

Components may vary by application

The Problem Solver®

# MOOG® Complete Knuckle Assembly Applications

PART #	PLACEMENT	APPLICATION
LK001	Left Rear	<b>Ford:</b> Explorer (3/4/2002-2002, 17mm Tie Rod Stud Diameter*), Explorer (2003-2005*); <b>Mercury:</b> Mountaineer (3/4/2002-2002, 17mm Tie Rod Stud Diameter*), Mountaineer (2003-2005*)
LK002	Right Rear	
LK003	Left Front	<b>Ford:</b> Focus (2006-2011)
LK004	Right Front	
LK005	Left Front	<b>Nissan:</b> Altima (2002-2006, (2.5L), 27 splines)
LK006	Right Front	
LK007	Left Front	<b>Volkswagen:</b> Beetle (1998-2010), Golf (2010, 1984cc (2.0L), 7th and 8th Digit of Vin is BE), Golf (2000-2009), Golf (1999, 7th and 8th Digit of Vin is 1J), GTI (1999-2002), Jetta (2005-2006, 7th and 8th Digit of Vin is 9M or 1J), Jetta (2000-2004), Jetta (1999, 7th and 8th Digit of Vin is 9M or 1J) (All applications listed contain an integral caliper bracket)
LK008	Right Front	
LK009	Left Front	<b>Nissan:</b> Altima (2002-2006, (3.5L V6), 3498cc, 29 splines), Maxima (2004-2008, 29 splines)
LK010	Right Front	
LK013	Left Front	<b>Ford:</b> Transit Connect (5/14/2011-2013)
LK014	Right Front	
LK015	Left Front	<b>Ford:</b> Escape (2001-2012); <b>Mercury:</b> Mariner (2007-2011); <b>Mazda:</b> Tribute (2001-2011)
LK016	Right Front	
LK019	Left Front	<b>Toyota:</b> Camry (1992-2001, 4-cyl)
LK020	Right Front	
LK021	Left Front	<b>Toyota:</b> Camry (1992-2001, V-6)
LK022	Right Front	
LK023	Left Front	<b>Toyota:</b> Highlander (2006-2007, Hybrid); <b>Lexus:</b> RX330/RX350 (2004-2009), RX400/RX400H (2006-2008)
LK024	Right Front	
LK025	Left Front	<b>Toyota:</b> Highlander (2001-2007, V-6)
LK026	Right Front	
LK027	Left Front	<b>Toyota:</b> Highlander (2001-2007, 4-cyl)
LK028	Right Front	

\*Prior to installing the MOOG Complete Knuckle Assembly on this vehicle, inspection of the parking brake shoes and hardware is recommended. If parking brake shoes require replacement, the following Wagner® brake components are available:

Parking Brakes Shoe Set  
Z791  
Hardware Kit  
H7240

Application  
Ford Explorer 4 Door 2002-2010  
Application  
Ford Explorer 2002-2011

For parts lookup, visit: [www.fme-cat.com](http://www.fme-cat.com)  
Tech line: 1-800-325-8886

[moogparts.com](http://moogparts.com) #partsmatter



©2018 Federal-Mogul Motorparts LLC. MOOG, The Problem Solver, Parts Matter, Wagner and National are trademarks owned by Federal-Mogul LLC, or one or more of its subsidiaries, in one or more countries. All other trademarks shown are the property of their respective owners. #MG181181



The Problem Solver®